



**Addendum #3  
Hancock County Public Library  
Sugar Creek Branch**

**Date:** April 4, 2018  
**Project:** Hancock County Public Library – Sugar Creek

**Pages:** 1 of 9 pages  
**Bid Dates:** ~~MONDAY, April 9, 2018 at 10:00 am (prevailing local time)~~  
**WEDNESDAY, April 11, 2018 at 2:00 pm (prevailing local time)**

**General Note:**

The original Specifications and Drawings dated March 7<sup>th</sup>, 2018 for the project referenced above are amended as noted in this Addendum No. 2. Receipt of this Addendum and any subsequent Addenda must be acknowledged on the Bid Form. Items changed or added by this addendum are to take precedence over the items or descriptions of the work in the project manual and the drawings. Items not mentioned in this addendum are to remain as described in the original plans and specifications.

**Final questions are due by 4/5 at 6:00 PM. Final Addendum will be issued no later than 4/9 at noon.**

---

**Responses to Questions:**

1. If alternate #6 is accepted, do we need to paint the exposed metal deck?
  - a. Yes, the scope of this painting should be a part of the alternate cost.
2. LVT shows no pattern, is that correct?
  - a. That is correct. It is a plank tile in one color, standard install.
3. Walk off carpet has a color TBD, what will be bid?
  - a. See updated finish materials list.
4. Bathroom wall pattern on A11-1 has 2 unlisted tiles in the pattern, clarify?
  - a. See Updated Elevation 8/A11-1.
5. Sheet FP1-1 shows sprinkler heads centered in 2x2 tiles. What is intent for centering of heads in other size of tiles?
  - a. Center heads in all tiles.
6. Is there a spec for the extruded aluminum H channel?
  - a. No, provide stock clear anodized 1/16" aluminum or equal.
7. Is there a spec for the perforated aluminum panel?
  - a. No, provide panels made from .063 perforated sheet, clear anodized finish, openness must be within 5% of basis of design which is 46% open (0.078x0.109)
8. Is there a spec for the aluminum trim rail?
  - a. No, provide stock clear anodized 1/16" aluminum or equal
9. Is there a spec for the aluminum beam wrap?
  - a. No, provide .032 aluminum sheet formed as shown with kynar paint finish.
10. According to spec section 64000 all of the plywood on walls and bottom of bulkheads is shop finished. Is that correct?

- a. Field finish is acceptable also.
11. The finish plan on sheet A11-2, notes all the restroom walls receive paint, but elevations on sheet A9-0 appears to show wall tile on all walls. Which is correct?
  - a. The walls will be tile as shown in elevations.
12. Plan Note 2 on A2-1: Is the intent to run the sprinkler piping exposed under outdoor exposed areas?
  - a. Yes, piping will be below deck and need painted, runs must extend out from building and travel N/S only, not main line running below structure.
13. Can Dens glass sheathing be used in lieu of plywood for exterior work? If so, can a spec be provided?
  - a. No.
14. Roller shades spec calls for 25% open, is that correct.
  - a. No – These should be 5% open.
15. What is thickness of plywood per Finish Note 1/A11-2?
  - a.  $\frac{3}{4}$ "
16. How would you like for us to address the volatility in steel prices caused by the governments tariffs?
  - a. The successful bidder will receive a notice to proceed within 30 days of bid day. The contract will be complete within 60 days from bid day.
17. Please confirm that Owner's testing agency will perform all 3<sup>rd</sup> party Inspections as well? Plans Notes 3&5 on S1-1
  - a. Correct, this testing will also be by owner.
18. Sheet S1-1 : Planter walls & Exposed Wall @ Column Line E between 1&2.(CW) is not scheduled?
  - a. The plan does note WF2 at Column Line E between 1&2. for CW1 (this whole stretch of 32'-8" is CW1 with WF2 footing). The planter walls (surrounding around columns F/2.9, F/3.5, F/4) do not require a spread footing.
19. Are Permits fees waived for this project?
  - a. No.
20. Detail 12/A9-1 ; Footing details for Trash Enclosure?
  - a. 12" wide foundation wall extends 30" below grade. Provide (2) #4 bars at both top and bottom of foundation wall. Provide #4 vertical bars @48" OC.
21. Detail 7/A9-1; Footing details for Entry (Monument) Sign?
  - a. 18" wide foundation wall extends 30" below grade. Provide (4) #4 bars at both top and bottom of foundation wall. Provide #4 vertical bars @48" OC.
22. Spec. Section 102600 (paragraph 2.3.A– Wall Protection refers to the Finish Material List. Drawings do not indicate any Corner Guards. Can you provide layout ?
  - a. There are no corner guards.
23. Please provide Metal Shelving layout, product information and model/size required.
  - a. The metal shelving, end panels and tops will be bid in a separate furniture package.



**Addendum #3  
Hancock County Public Library  
Sugar Creek Branch**

24. Section 107500 – Paragraph 1.2.A-2 refers to the drawings regarding pole profile and dimensions. There is no info regarding the flagpole on the drawings. Please provide this information.
    - a. There is to be a flagpole placed roughly 30' to the west of the building. Pole to be 25' tall and have a base DIA of 4". Provide 30" deep x 24" DIA concrete base.
  25. A6-5 Details 3&4. What product is 20 Ga. Aluminum ?
    - a. Provide .032 aluminum sheet formed as shown with kynar paint finish.
  26. I have a question regarding the carpet finish schedule. I am not seeing any reference to CPT-2a. Sheet A11-2.
    - a. CPT-2a is no longer used.
  27. On page A6-5 detail 3 shows 2" sprayfoam insulation.....there is no spec for sprayfoam insulation.
    - a. Please see attached spec.
  28. Are we able to bid the signage package directly to the architect?
    - a. As per the specification manual, sections 101423 Interior Panel Signs and 101429 Dimensional Letters, the signage packages are to be bid through the General Contractor.
  29. Please provide Metal Shelving layout, product information and model/size required.
    - a. The metal shelving, end panels and tops will be bid in a separate furniture package.
- 

**Specifications Items:**

**Section 012300 Alternates**

- a. Delete alternate No. 9 – Batt insulation is acceptable for base bid.
- b. Delete alternate No. 10 – Contractor can include either TPO or EPDM for base bid.

**Section 64000**

In reference to interior plywood on walls and bottom of bulkheads is permitted to be field finished.

**SECTION 07 21 19 - FOAMED-IN-PLACE INSULATION**

- a) Add attached spec sections

**Section 122413**

Change shade openness to 5%

---

**Drawing Set Items:**



**Addendum #3  
Hancock County Public Library  
Sugar Creek Branch**

**Sheet A1-1**

- a. Add a plan note 30' to the west of the building's north west corner. "Pole to be 25' tall and have a base DIA of 4". Provide 30" deep x 24" DIA concrete base. "

**Sheet A6-5**

- a. Details 3&4, Replace the note for 20 GA Aluminum with ".032 aluminum sheet formed as shown with kynar paint finish"

**Sheet A9-1**

- a. Add the following note to drawing #12: 12" wide foundation wall extends 30" below grade. Provide (2) #4 bars at both top and bottom of foundation wall. Provide #4 vertical bars @48" OC.
- b. Add the following note to drawing #7: 18" wide foundation wall extends 30" below grade. Provide (4) #4 bars at both top and bottom of foundation wall. Provide #4 vertical bars @48" OC.

**Sheet A11-1**

- a. See updated Interior Tile Pattern, 8/A11-1.
- b. See updated Finish Materials List.

**Sheet A11-2**

Interior exposed plywood to be  $\frac{3}{4}$ " thick

---

**Attachments:**

1. Sheet A11-1

END

## SECTION 07 21 19 - FOAMED-IN-PLACE INSULATION

### PART 1 - GENERAL

#### 1.1 RELATED DOCUMENTS

- A. Drawings and general provisions of the Contract, including General and Supplementary Conditions and Division 01 Specification Sections, apply to this Section.

#### 1.2 SUMMARY

- A. Section Includes:
  - 1. Closed-cell spray polyurethane foam.

#### 1.3 ACTION SUBMITTALS

- A. Product Data: For each type of product.

#### 1.4 INFORMATIONAL SUBMITTALS

- A. Qualification Data: For Installer.
- B. Product Test Reports: For each product, for tests performed by a qualified testing agency, IAS International Accreditation Service.
- C. Evaluation Reports: For spray-applied polyurethane foam-plastic insulation, from ICC-ES.

#### 1.5 QUALITY ASSURANCE

- A. Installer Qualifications: An authorized representative who is trained and approved by manufacturer. Any repairs by an Icynene licensed contractor.
- B. Surface-Burning Characteristics: As determined by testing identical products according to ASTM E 84 by a qualified testing agency. Identify products with appropriate markings of applicable testing agency.
- C. Fire Resistance Characteristics: As determined by testing identical products (based on a 4 inch (100 mm) minimum thickness) according to ASTM E 119 by a qualified testing agency. Identify products with appropriate markings of applicable testing agency.

- D. Fire Resistance Characteristics: As determined by testing identical products according to NFPA 285 by a qualified testing agency. Identify products with appropriate markings of applicable testing agency.

## 1.6 DELIVERY, STORAGE, AND HANDLING

- A. Protect spray polyurethane foam components as follows:
  - 1. Component A and B: store between 60 degrees F (15 degrees C) and 90 degrees F (32 degrees C).
  - 2. Component B can be frozen but must be protected from overheating over 120 degree F (49 degree C) and prolonged storage over 100 degree F (37 degree C).
  - 3. Component B: mix thoroughly prior to use.
  - 4. Components should be a matched set (system) as supplied by the manufacturer.
  - 5. Use components within their labeled shelf-life.
  - 6. Use components as supplied with no site alterations or additions.

## 1.7 WARRANTY

- A. 10 year warranty against delamination or moisture absorption.).

## PART 2 - PRODUCTS

### 2.1 PERFORMANCE CHARACTERISTICS

- A. Air Material Air Leakage Rate: Maximum material air leakage rate of less than 0.004 cfm/ft<sup>2</sup> under a pressure differential of 0.3 in w.g. (1.6 psf) (0.02 L/m<sup>2</sup> at 75 Pa) per ASTM E 2178 or E 282.
- B. Surface-Burning Characteristics: Comply with ASTM E 84; testing by a qualified testing agency. Identify products with appropriate markings of applicable testing agency.
  - 1. Flame-Spread Index: 25 or less.
  - 2. Smoke-Development Index: 450 or less.
- C. Fire Propagation Characteristics: Passes NFPA 285 testing as part of an approved assembly.
- D. Compressive strength: Minimum 40 psi (276 kPa) (ASTM C1029 Type II).
- E. Sustainability Requirements: Provide spray polyurethane foam insulation as follows:
  - 1. Low Emitting: Insulation tested according to CA/DPH/EHLB/v1.1-2010.
  - 2. Resistant to fungal growth as per ASTM C1338.
  - 3. Containing no PBDE.

## 2.2 CLOSED-CELL SPRAY POLYURETHANE FOAM

- A. Closed-Cell Spray Polyurethane Foam: ASTM C 1029, Type II, minimum density of 2.5 lb/cu. ft. (38 kg/cu. m) and minimum aged R-value at 1-inch (25.4-mm) thickness of 7.0 deg F x h x sq. ft./Btu at 75 deg F (1.23 K x sq. m/W at 24 deg C).
  - 1. Basis-of-Design Product: Subject to compliance with requirements, provide Icynene Inc.; Icynene ProSeal (MD-C-200v3) or comparable product by one of the following:
    - a. BASF Corporation.
    - b. Dow Chemical Company (The).

## 2.3 AUXILIARY MATERIALS

- A. Sealant at Transitions in Substrate and Connections to Adjacent Elements: Low-modulus pre-cured silicone extrusion and sealant for bonding extrusions to substrates; Spectrem Simple Seal by Tremco or Bondaflex Silbridge 300 by May National Associates.
- D. Primers: Use primers when deemed necessary for SPF adhesion to substrates.
- E. Portable SPF Application Units: Class 1, nominal 2 lb per cubic foot density, closed-cell SPF
  - 1. Versi-Foam by RHH
  - 2. Touch n' Foam by Convenience Products

## PART 1 - EXCUTION

### 1.1 PREPARATION

- A. Verify that substrates are clean, dry, and free of substances that are harmful to insulation.
- B. Priming: Prime substrates where recommended by insulation manufacturer. Apply primer to comply with insulation manufacturer's written instructions. Confine primers to areas to be insulated; do not allow spillage or migration onto adjoining surfaces.

### 1.2 INSTALLATION

- A. Comply with insulation manufacturer's written instructions applicable to products and applications.
- B. Spray the interior of all exterior walls on top of glass embedded gypsum sheathing or plywood.
- C. Add backer material and fill all voids at steel, electrical, plumbing and other penetrations to provide a 100% air tight envelope 3" thick spray foam material.
- D. Provide added backer board material at gaps more than  $\frac{3}{4}$ ".
- E. Spray insulation to envelop entire area to be insulated and fill voids.

- F. Apply in multiple passes to not exceed maximum thicknesses recommended by manufacturer. Do not spray into rising foam.
- G. Do not apply insulation within 3-inches (76 mm) of heat emitting devices or where the temperature is in excess of 200 degrees F (93 degrees C), as per ASTM C411 or in accordance with applicable codes.
- H. Walls: Install into cavities to 3 " thick (R-21)
- I. Miscellaneous Voids: Apply according to manufacturer's written instructions.

### 1.3 PROTECTION

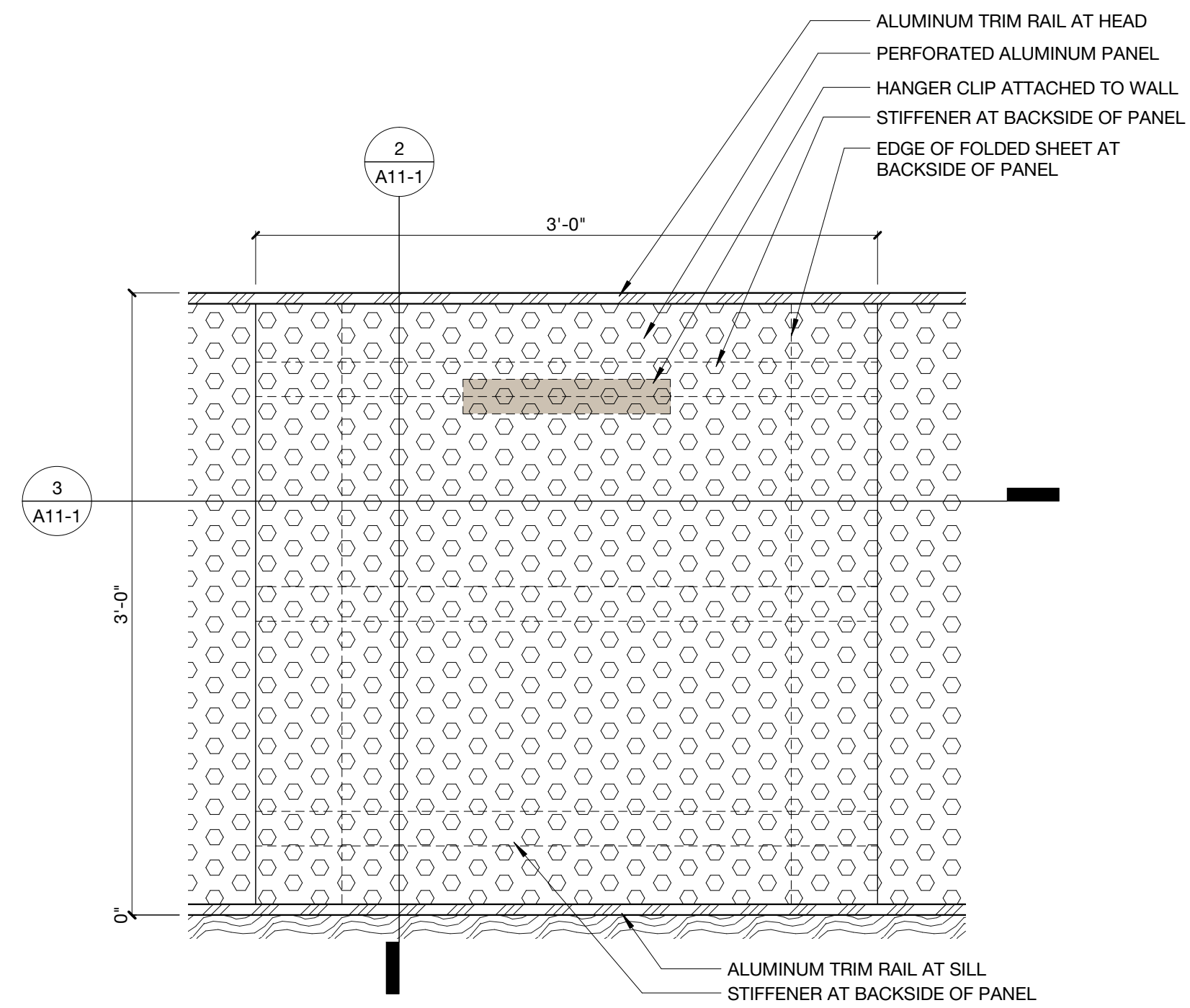
- A. Protect installed insulation from damage due to harmful weather exposures, physical abuse, and other causes.
- B. Thermal Protection: Protect installed spray polyurethane foam insulation with qualified thermal or ignition barrier per applicable building codes.

### 1.4 INSTALLATION OF AIR BARRIER COMPONENTS

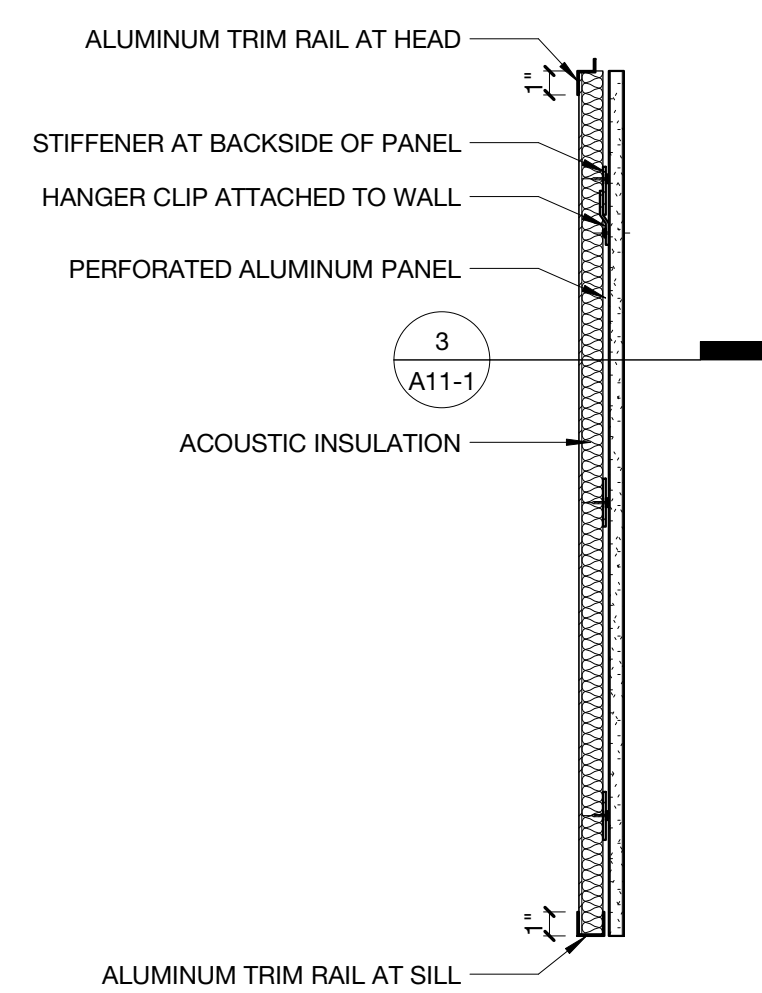
- A. Install air barrier components – membranes and sealants – as indicated on drawings for spray polyurethane foam as part of an air barrier system.

END OF SECTION

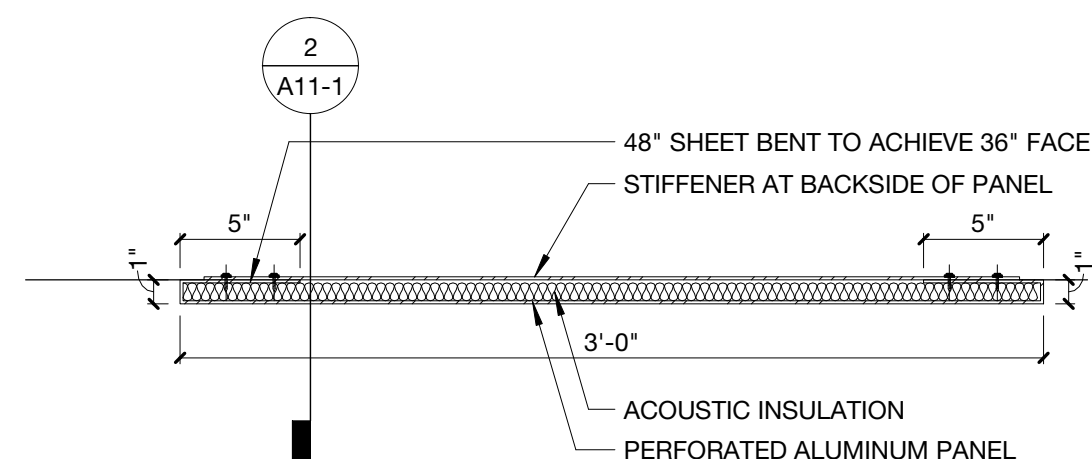




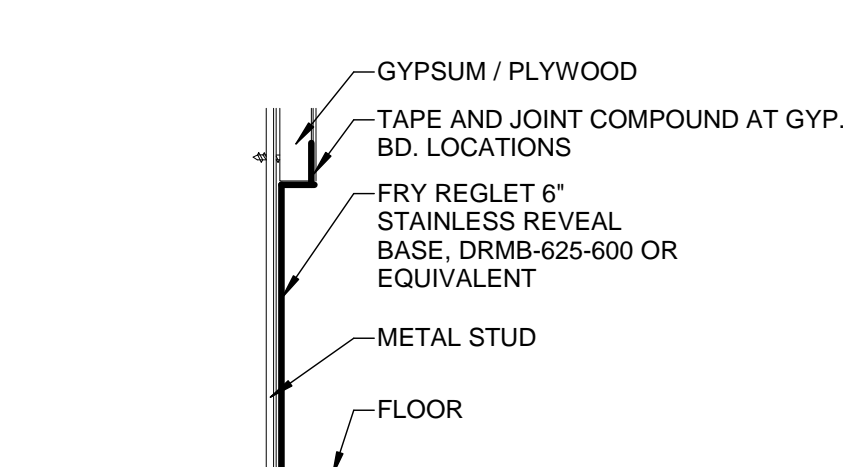
1 ENLARGED ELEVATION - ACOUSTIC PANEL  
SCALE: 1 1/2" = 1'-0"



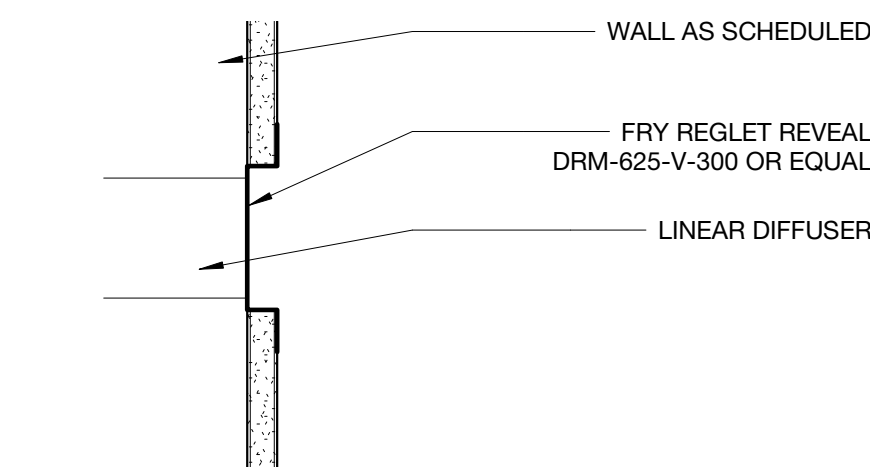
2 SECTION - ACOUSTIC PANEL  
SCALE: 1 1/2" = 1'-0"



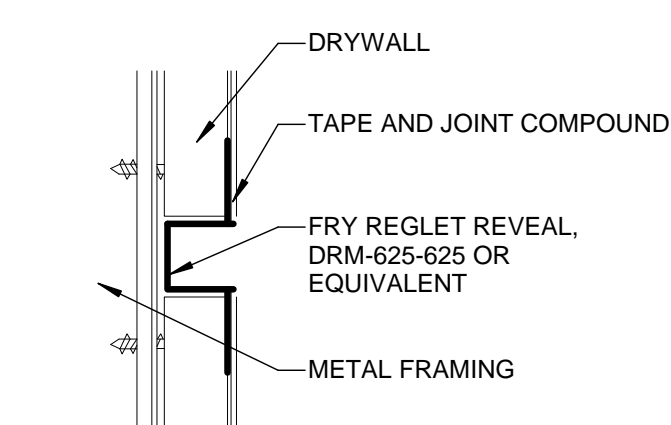
3 PLAN - ACOUSTIC PANEL  
SCALE: 1 1/2" = 1'-0"



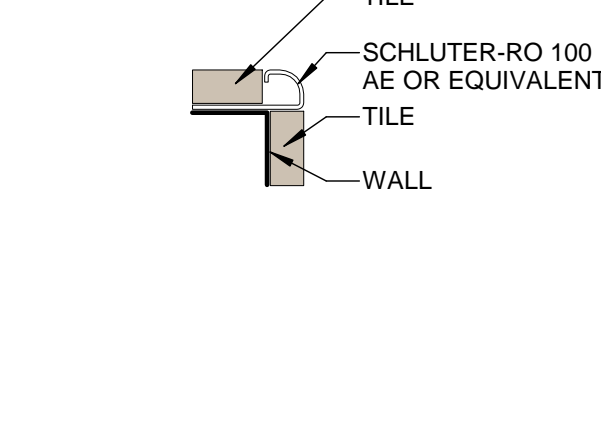
4 REVEAL BASE DETAIL  
SCALE: 3" = 1'-0"



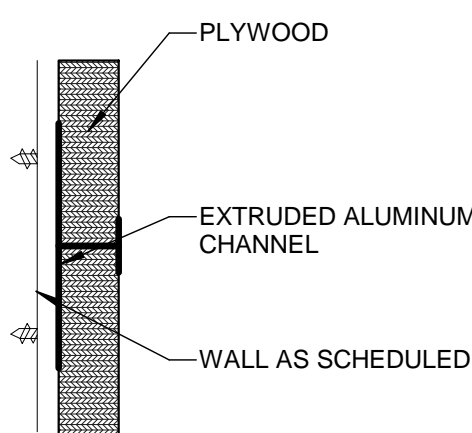
5 MECHANICAL DIFFUSER  
SCALE: 3" = 1'-0"



6 DRYWALL CONTROL JOINT  
SCALE: 6" = 1'-0"

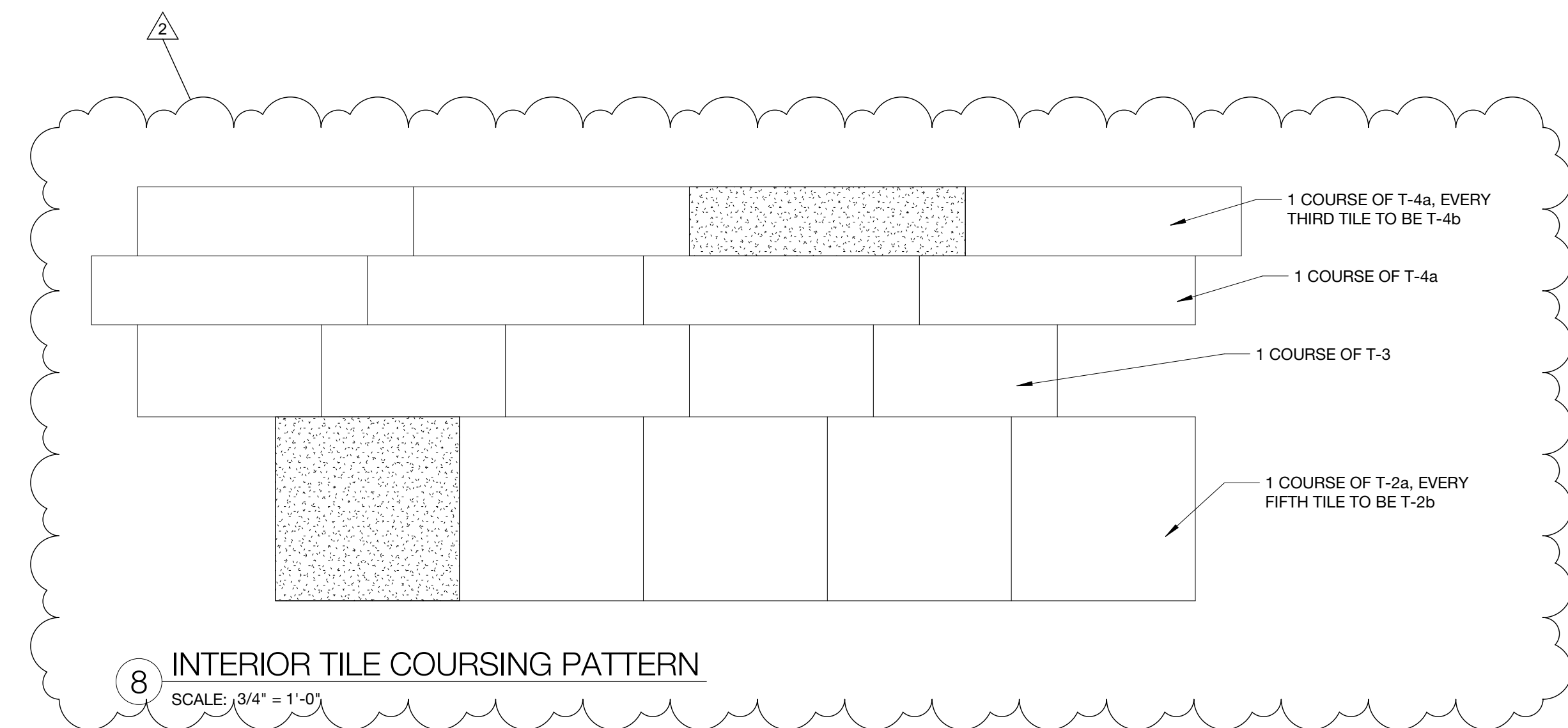


7 TILE OUTSIDE CORNER  
SCALE: 6" = 1'-0"



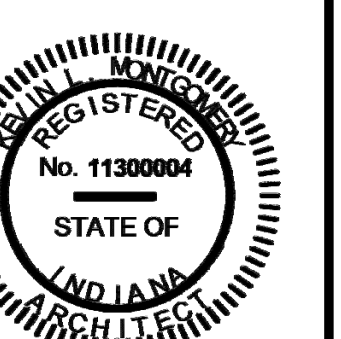
9 PLYWOOD REVEAL DETAIL  
SCALE: 6" = 1'-0"

FINISH MATERIAL LIST						
MARK	STYLE	MODEL NUMBER	COLOR	SIZE	LOCATION	CONTACT
<b>CEILING</b>						
ACT-1	ARMSTRONG	OPTIMA	WHITE	2X6		
ACT-2	ARMSTRONG	OPTIMA	WHITE	2X4		
ACT-3	ARMSTRONG	OPTIMA	WHITE	2X2		
<b>STAIN</b>						
ST-1	STAIN		TBD			
<b>QUARTZ</b>						
QZ-1	CAMBRIA	WATERSTONE COLLECTION	BERWYN			
<b>SOLID SURFACE</b>						
SS-1	CORIAN		WITCH HAZEL			
<b>PLASTIC LAMINATE</b>						
PL-1	WILSONART	4830K-18	SATIN STAINLESS			
PL-2	FORMICA	PALOMA POLAR 6636-58	MATTE FINISH			
<b>FABRIC</b>						
F-1	MAHARAM	CHASM 466404	COBRA 014		BUILT-IN BENCH SEATING	
<b>SEALED CONCRETE</b>						
SC-1	SEALED CONCRETE					
<b>CARPET</b>						
CPT-1a	PATCRAFT	MATERIAL PARADOX - BACKLIT I0468	HINT 00150	9 X 36	Adult Field	
CPT-1b	PATCRAFT	MATERIAL PARADOX - NOCTURNE I0470	HINT 00150	9 X 36	Adult Field Transition	
CPT-1c	PATCRAFT	MATERIAL PARADOX - COLOR FILTER I0471	HINT 00150	9 X 36	Adult Field Accent	
CPT-2a	NOT USED	NOT USED	NOT USED			
CPT-2b	INTERFACE	AERIAL - NEIGHBORHOOD SMOOTH 163250AK00	INDIGO / SMOOTH 105636	9 X 36	Adult Accent Blue	
CPT-3	BENTLEY	TAGLINE STRIPE - 4TUT0	TOP NOTCH 408106	18 X 36	Teen Field	
CPT-4	INTERFACE	AERIAL - NEIGHBORHOOD BLOCKS 163250AK00	DRU RED / SMOOTH 105641	9 X 36	Teen Accent	
CPT-5	TANDUS CENTIVA	ISO 04536	STEEL SEQUENCE 48207	36 X 36	Children's Field	
CPT-6a	INTERFACE	AERIAL - NEIGHBORHOOD BLOCKS 163250AK00	INDIGO / BLOCKS 105620	9 X 36	Children's Accent Blue	
CPT-6b	INTERFACE	AERIAL - NEIGHBORHOOD BLOCKS 163250AK00	CARIBBEAN / BLOCKS 105621	9 X 36	Children's Accent Teal	
CPT-6c	INTERFACE	AERIAL - NEIGHBORHOOD BLOCKS 163250AK00	GREENERY / BLOCKS 105633	9 X 36	Children's Accent Green	
<b>WALK-OFF MAT</b>						
WM-1	PATCRAFT	BEYOND THE DOOR - PASEO	OBSIDIAN 00595			
<b>LUXURY VINYL TILE</b>						
LVT-1	MOHAWK GROUP	HOT & HEAVY - LINEATE C0089	868 GROOVE	9 X 59		
<b>TILE</b>						
T-1	ATLAS CONCORDE	SEASTONE	GREIGE	18 X 36	FLOOR TILE	
T-2a	ATLAS CONCORDE	SUNROCK - MATT	TRAVERTINO WHITE	24 X 24		
T-2b	ATLAS CONCORDE	SUNROCK - STRUTTURATO	TRAVERTINO WHITE	24 X 24		
T-3	ATLAS CONCORDE	SUNROCK - MATT	TRAVERTINO WHITE	12 X 24		
T-4a	ATLAS CONCORDE	SUNROCK - MATT	TRAVERTINO WHITE	9 X 36		
T-4b	ATLAS CONCORDE	SUNROCK - STRUTTURATO	TRAVERTINO WHITE	9 X 36		
<b>BASE</b>						
B-1	FRY REGLET	6" REVEAL BASE				
B-2	JOHNSONITE	6" TIGHTLOCK BASE	TBD			
<b>PAINT</b>						
P-1/EP-1	SHERWIN WILLIAMS	EGGSHELL	COLONNADE GRAY SW 7641			
P-2	SHERWIN WILLIAMS	EGGSHELL	PAVESTONE 7642			
P-3	SHERWIN WILLIAMS	SEMI GLOSS	GAUNTLET GRAY SW7019		Break Metal and Column Surrounds	
P-4	SHERWIN WILLIAMS	EGGSHELL	TBD		RED	
P-5	SHERWIN WILLIAMS	EGGSHELL	TBD		Children's Accent Blue	
P-6	SHERWIN WILLIAMS	EGGSHELL	TBD		Children's Accent Teal	
<b>INTERIOR ZINC</b>						
ZN-1	EL ZINC	FLAT LOCK PANELS - SEE ELEVATIONS FOR SIZES	SLATE			
<b>MODERNFOLD DOOR FINISHES</b>						
HINGES	MODERNFOLD	SW2128	SMOKE GRAY			
TRIM	MODERNFOLD	SW2128	SMOKE GRAY			
VINYL	KOROSEAL	KASHI	SILVER FAN			



8 INTERIOR TILE COURSING PATTERN  
SCALE: 3/4" = 1'-0"

REVISIONS	Date	Description
2		Addendum #3



Kevin Montoya

BIDDING DOCUMENTS  
03/07/2018

VERSION 2436	krM JOB NO. Sugar Creek
DRAWN BY Author	CHECKED BY Designer

SHEET NO.  
**A11-1**